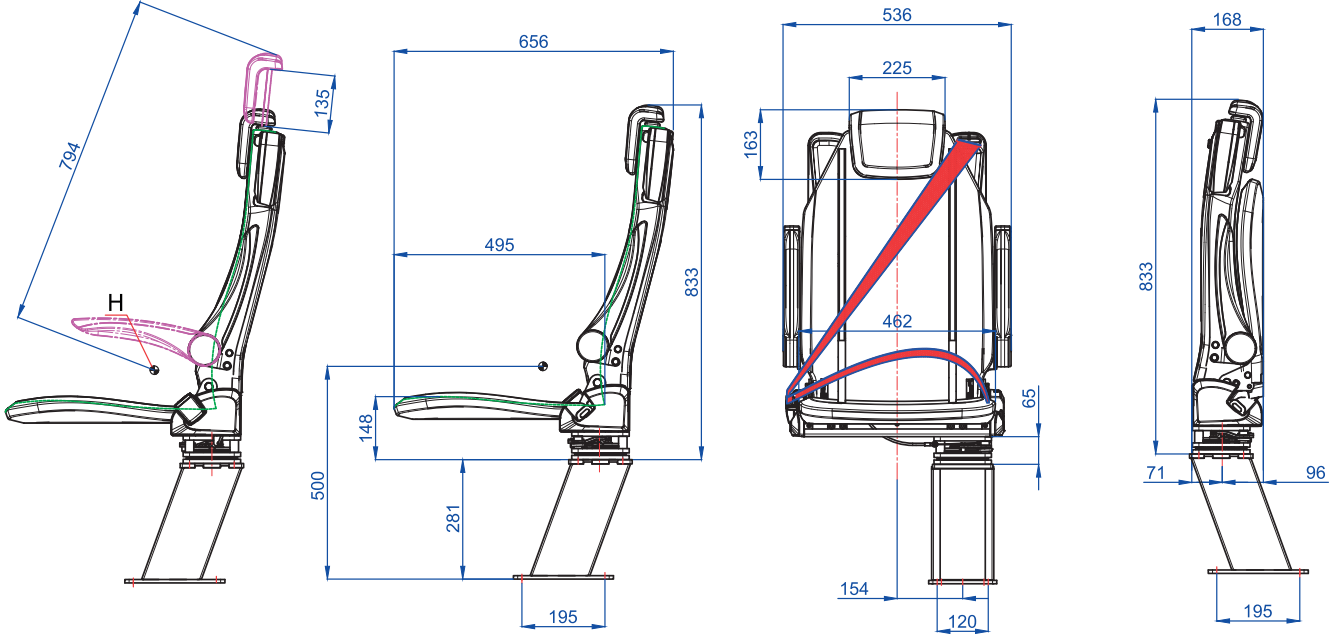


TECHNICAL DRAWING



M1 SEATS
M1 KOLTUKLARI

ÖZELLİKLER	OPTIONS	CARACTERÍSTICAS	DIE OPTION
Döner Mekanizma 360°	Swivel Mechanism 360°	Mecanismo Giratorio 360°	Schwenkmechanismus 360°
3N Kemer	3P Seat Belt	3P Cinturón	3P Sicherheitgurt
Katlanır Kolçak	Foldable Armrest	Apoyabrazos Abatible	Klappbar Armlehnen
Isofix	Isofix	Isofix	Isofix